

Barrette



Vinyl Fence Ranch Rail

Assembly and Installation Instructions

Models / Modelos/ Modèles

2-Rail Components:
73061401S / 73063901
73048501 / 73048601 / 73048701

3-Rail Components:
73061401S / 73063901
73060401 / 73060501 / 73060501

Build-It-Yourself 2-Rail Components:
73012399 / 73012400 / 73012401 / 73012402
73010781 / 73010787 / 73010793 / 73010799
73010782 / 73010788 / 73010794 / 73010800
73010783 / 73010789 / 73010795 / 73010801

Build-It-Yourself 3-Rail Components:
73010757 / 73010763 / 73010769 / 73010775
73010758 / 73010764 / 73010770 / 73010776
73010759 / 73010765 / 73010771 / 73010777

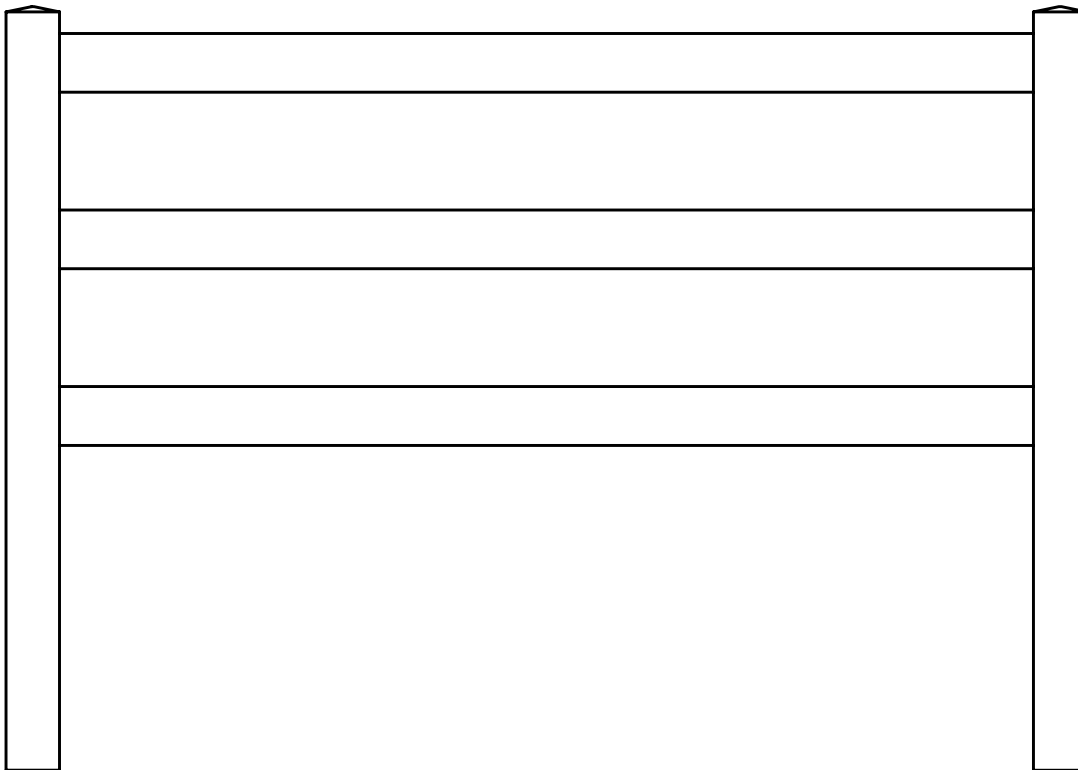
Build-It-Yourself 4-Rail Components:
73010732 / 73010738 / 73010744 / 73010750
73010733 / 73010739 / 73010745 / 73010751
73010734 / 73010740 / 73010746 / 73010752

Build-It-Yourself Crossbuck Components:
73010926 / 73010932 / 73010938 / 73010944
73010927 / 73010933 / 73010939 / 73010945
73010928 / 73010934 / 73010940 / 73010946

Owner's Manual
Manual del Propietario
Manuel du propriétaire

Version / Edición

1.0



PLEASE READ OWNER'S MANUAL
COMPLETELY BEFORE ASSEMBLING
YOUR FENCE.

ALL STATED SIZES ARE NOMINAL DIMENSIONS.

POR FAVOR, LEA COMPLETAMENTE EL MANUAL
DEL PROPIETARIO ANTES DE ENSAMBLAR LA
EDIFICACIÓN.

TODAS LAS DIMENSIONES INDICADAS SON NOMINALES.

PRIÈRE DE LIRE LE MANUEL DU PROPRIÉTAIRE
EN ENTIER AVANT D'ASSEMBLER LA REMISE.

TOUTES LES DIMENSIONS INDIQUÉES SONT NOMINALES.

Thank you for choosing the Barrette Outdoor Living Fence. Please read the instructions completely before assembling your fence. Retain manual and your dated sales slip for future reference and warranty claims.

Before You Begin...

Check your local zoning laws.

- Local zoning laws and Home Owners Associations may regulate the location, style and height of your fence or even require a permit signoff beforehand.

Contact your local utilities companies.

- You must have the utility companies clearly mark your property for electrical, gas or water lines to avoid puncturing any unseen underground utilities.

Pay to mark your property line.

- Being proactive will save you time and money from any disputes from neighbors.

© 2011 Barrette Outdoor Living
7830 Freeway Circle
Middleburg Heights, Ohio 44130

Material Checklist:

- | | |
|---|---|
| <input type="checkbox"/> Flat Head Screwdriver | <input type="checkbox"/> Safety Glasses |
| <input type="checkbox"/> Circular Saw or Hand Saw | <input type="checkbox"/> String Line Stakes |
| <input type="checkbox"/> Bag of High Strength Concrete (1½ bags per hole average) | <input type="checkbox"/> Spool of String |
| <input type="checkbox"/> Coarse Gravel (6" per hole) | <input type="checkbox"/> Vinyl Cement |
| <input type="checkbox"/> Water for Concrete | <input type="checkbox"/> Line Level |
| <input type="checkbox"/> Clean Rags | <input type="checkbox"/> Tape Measure |
| <input type="checkbox"/> Post Hole Digger | <input type="checkbox"/> Shovel |
| | <input type="checkbox"/> Rubber Mallet |

ATTENTION: Before you assemble the fence:

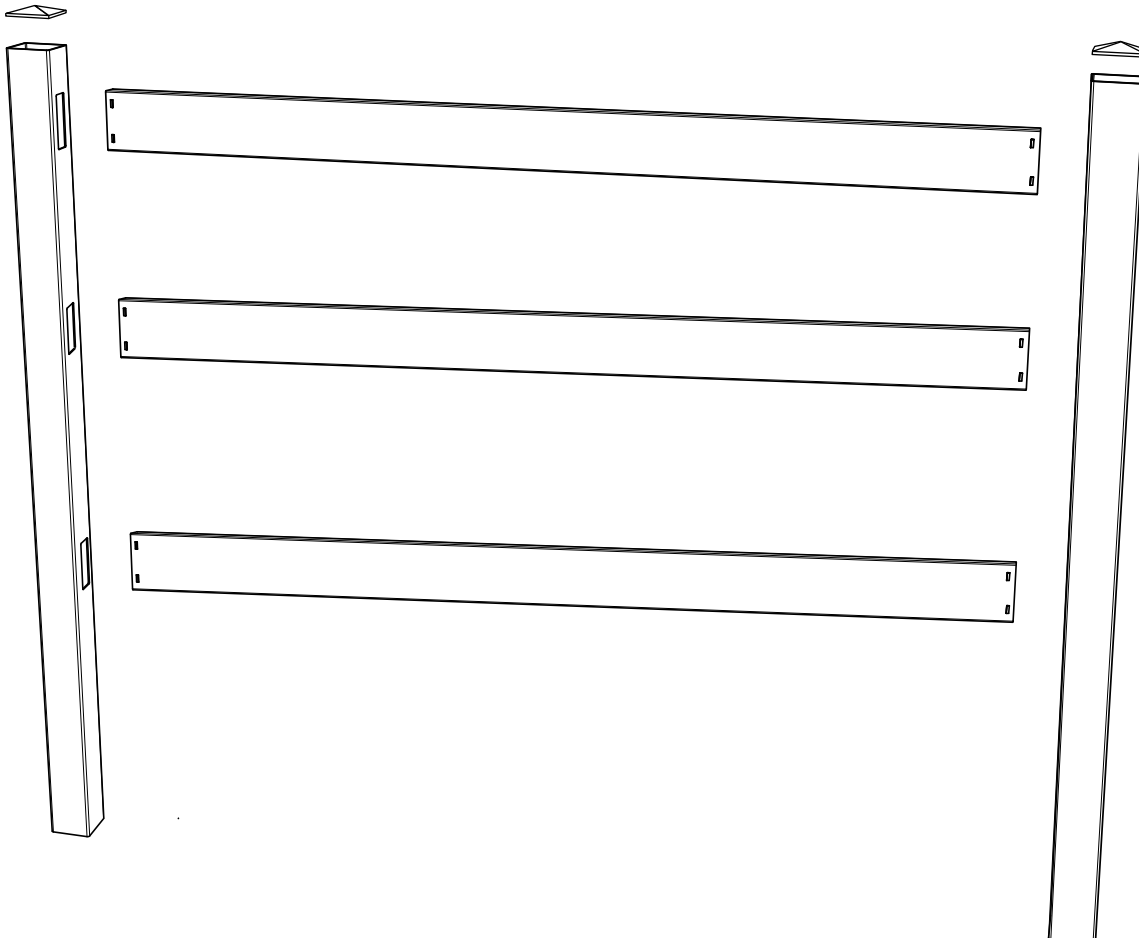
PLEASE TAKE A COMPLETE INVENTORY OF ALL PARTS USING THE KIT CONTENTS.

DO NOT ATTEMPT TO ASSEMBLE THE FENCE IF PARTS ARE MISSING OR DAMAGED.

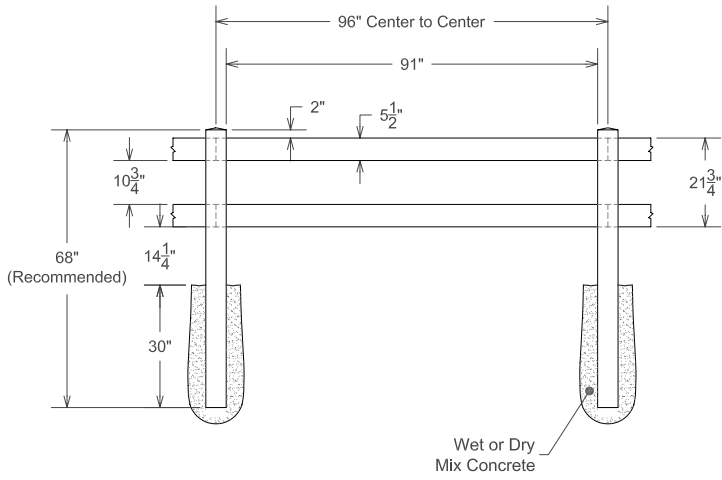
Please do not return the product to the store, for assistance or replacement parts call:

1-800-336-2383

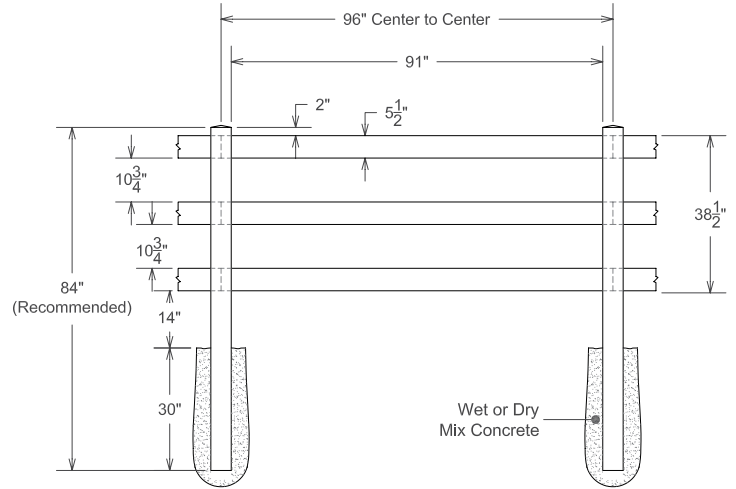
Ranch Rail Assembly:



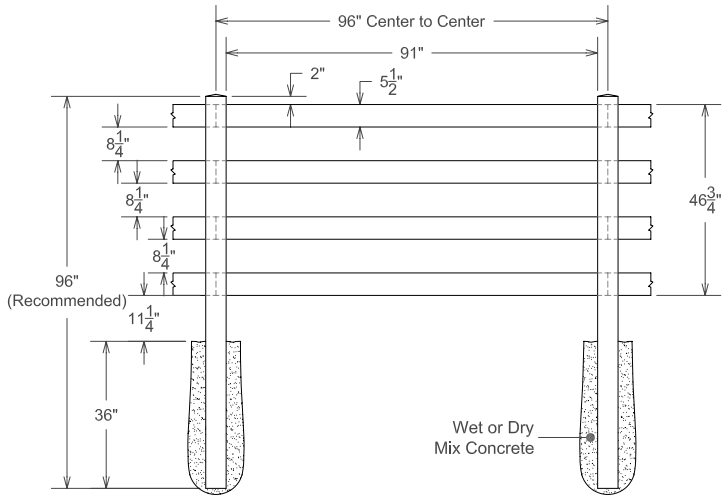
Product Overview:



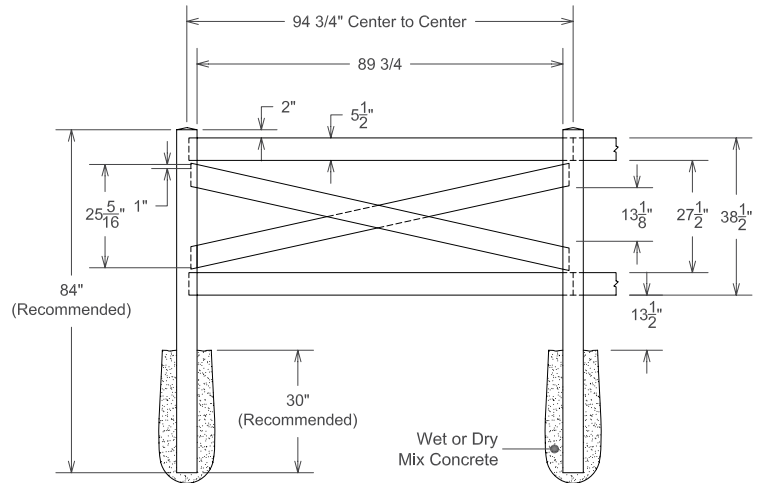
2-Rail



3-Rail

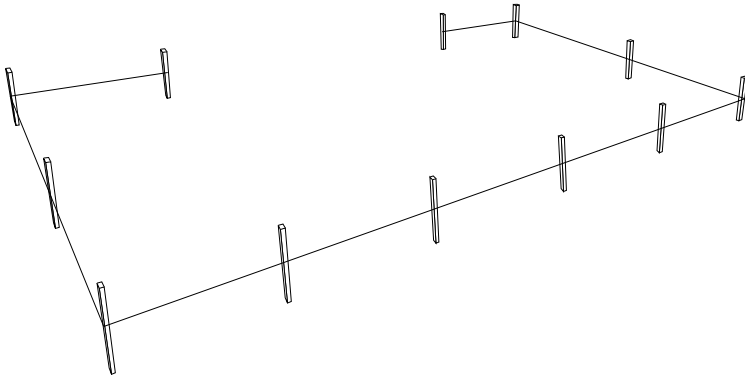


4-Rail

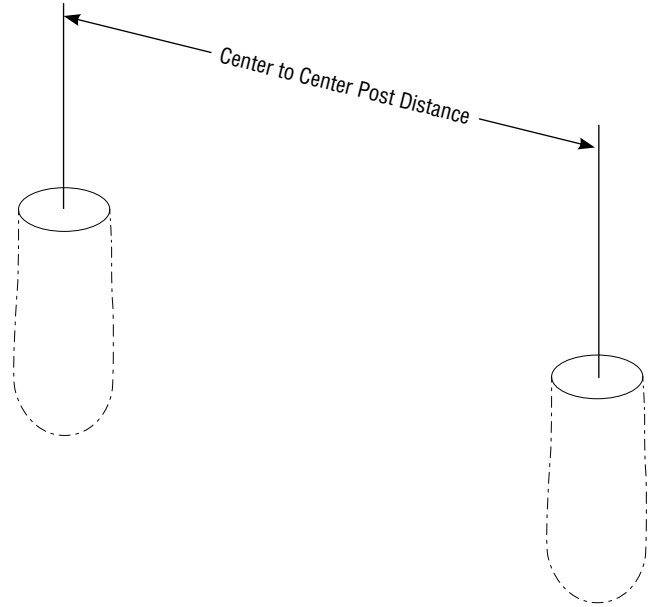


Crossback

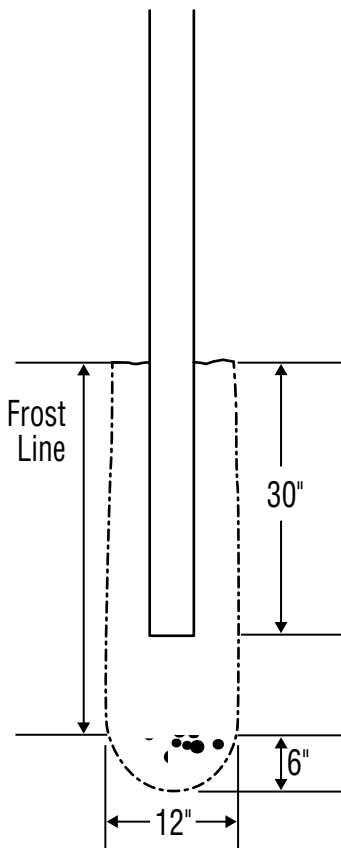
1 Mark the fence location using string and line stakes.



2 Dig post holes 12" in diameter 36" deep. Use the Center to Center measurements of the fence model being installed for the Center to Center Post Distance. If less than a full section is being used, or if posts are being used other than 5" in width, measure the width of the section and add the width of one post, that will be the Center-to-Center post distance of the holes.

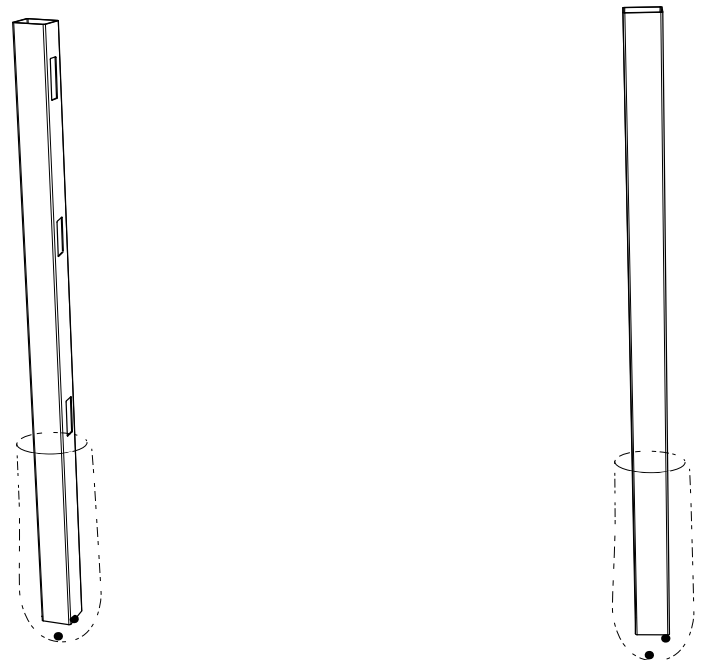


3 If frost line does not exceed 30", insert 6" of gravel into bottom of holes then set posts in ground ensuring they are plumb and level. Ensure first post is plumb and level and then add concrete according to manufacturers instructions.

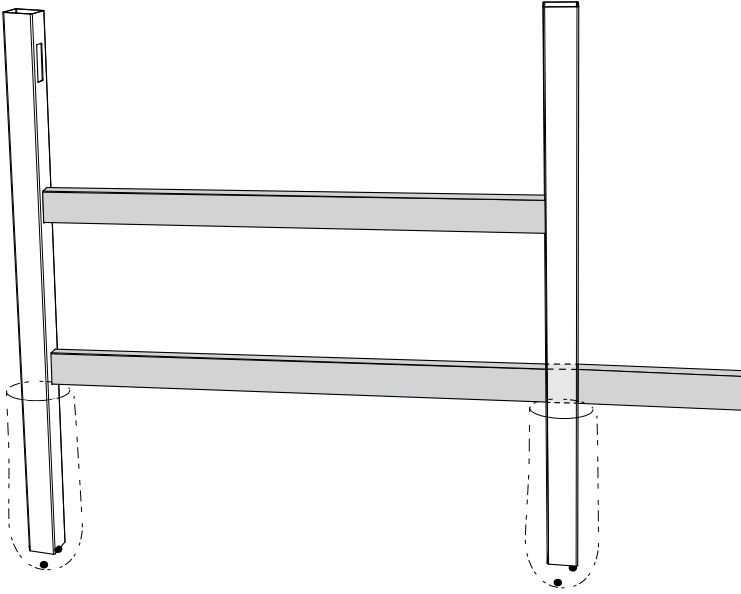


4 If frost line exceeds 30" dig holes to the appropriate depth and then add 6" of gravel for post drainage. Add concrete according to manufacturers instructions until a depth of 30" remains*. Set post in hole ensuring it is plumb and level. Fill hole with concrete according to manufacturers instructions. Set 3-5 posts at a time. Go to step 5.

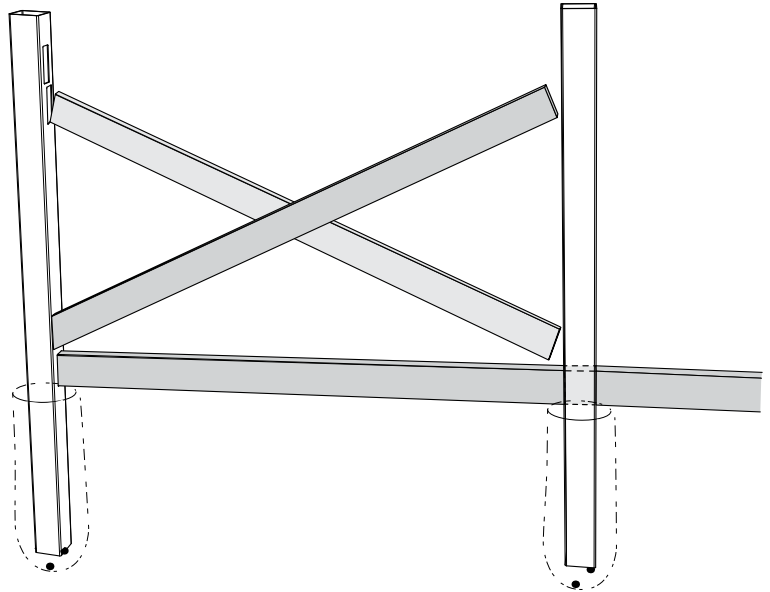
*36" For 4-Rail



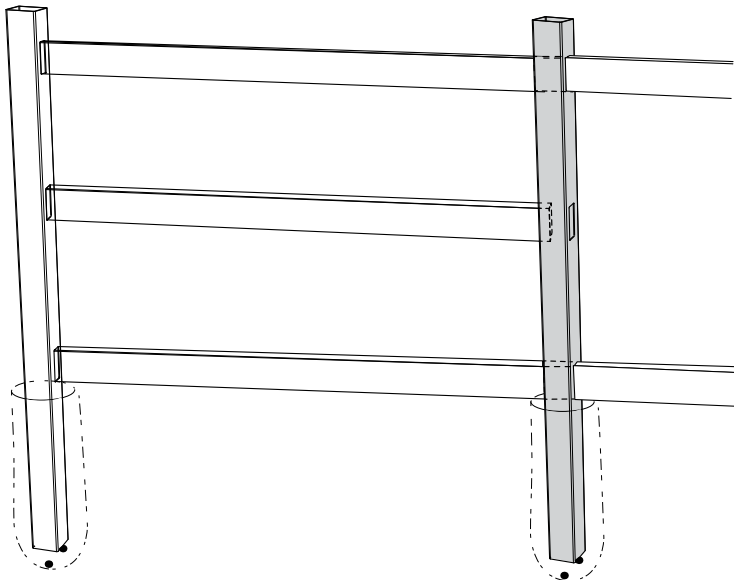
5 For 2-Rail, 3-Rail, & 4-Rail, insert bottom rail into bottom post route hole of first post only, then do the same for the middle & top rails accordingly. If using 16' Rails, alternate rails so rail ends do not begin at the same post.



6 For Crossbuck Styles, insert bottom rail into bottom post route hole, then first cross rail, followed by second cross rail, and finally the top rail accordingly.

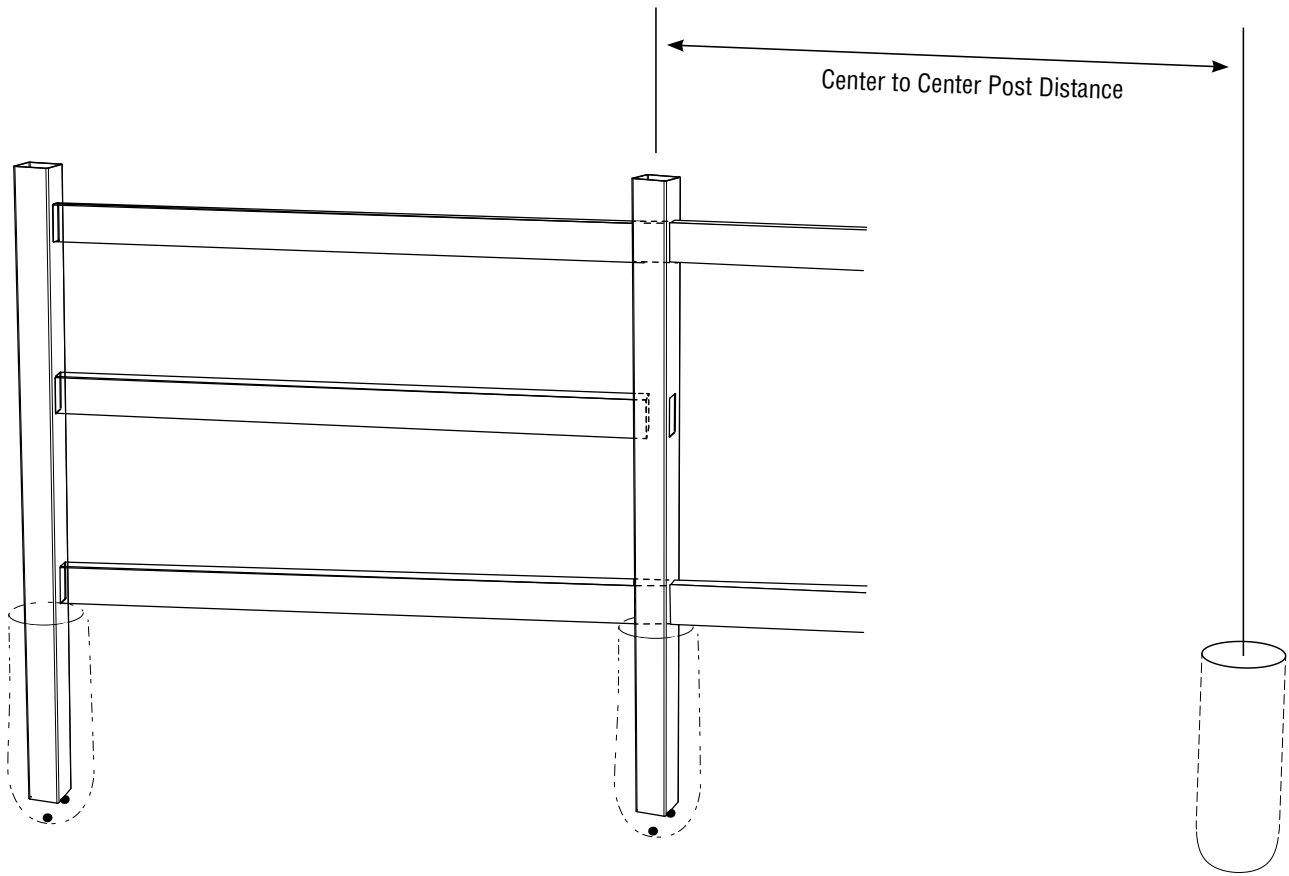


7 Insert the rails into the route holes of the second fence post and continue process for the rest of set posts.



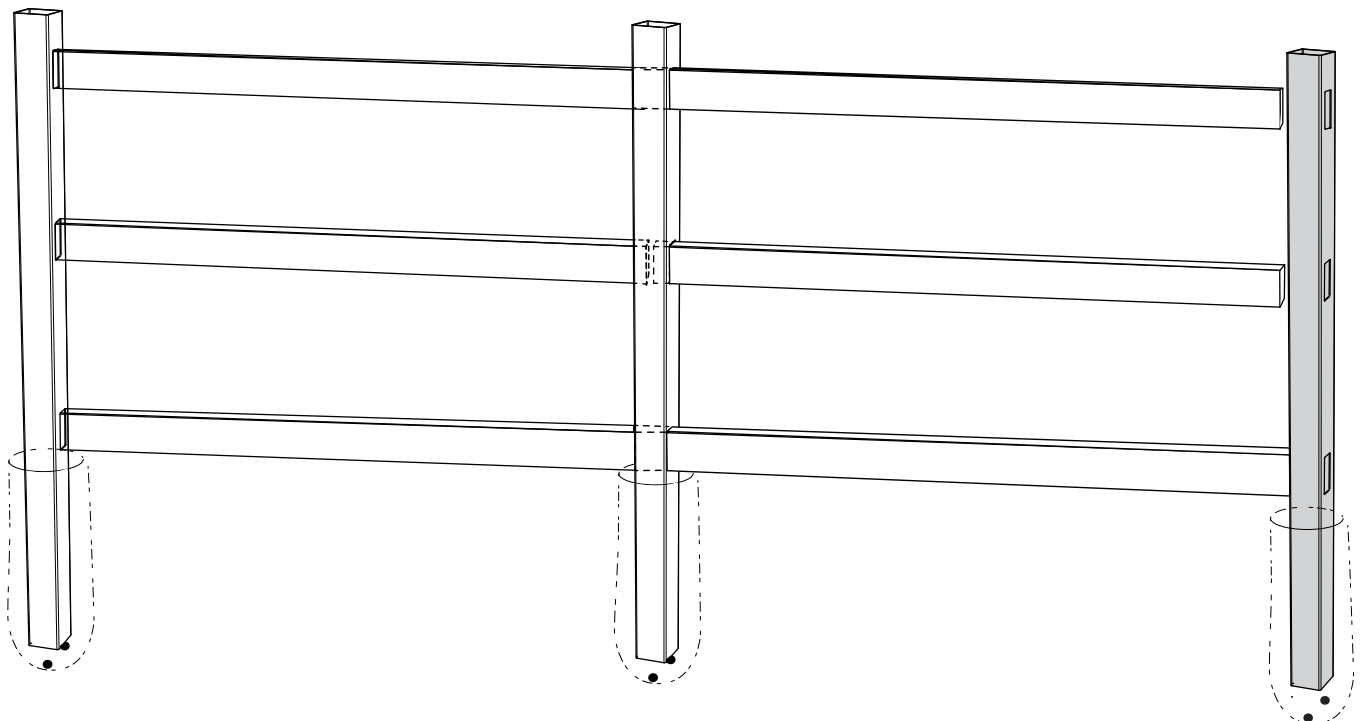
8

Set next 3-5 posts as in steps 3 & 4.



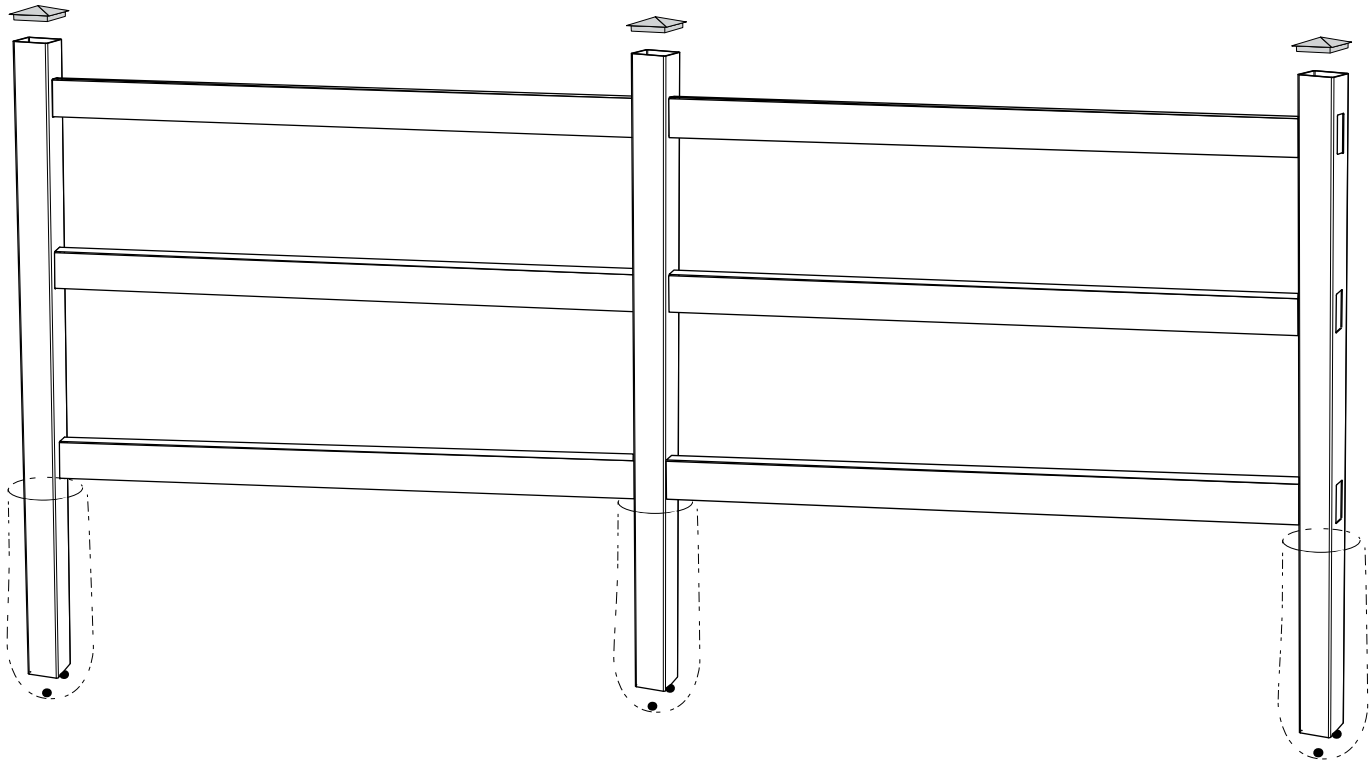
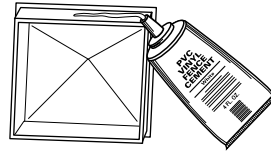
9

Repeat process from steps 5 to 7 until all Ranch Rails and posts have been installed.



10

Apply glue on outside rim of post caps then attach to posts.





Transferable Limited Lifetime Warranty

What is covered: Barrette Outdoor Living warrants vinyl and aluminum products to include vinyl fence, railing, plastic lattice, trellis, arbors and aluminum fence against defects or workmanship for as long as you own your home. Barrette Outdoor Living will at its option repair or replace the product in question with new product of the same or equivalent value at no charge. Barrette Outdoor Living warrants these products against fading, peeling, flaking, splintering, corroding, rusting or abnormal discoloration under normal use and service. This warranty extends to the original purchaser or transferee as specified herein.

What this warranty does not cover: This limited warranty does not cover damage resulting from accident, unreasonable use, neglect, alteration, improper service, improper installation, acts of God or any other causes not arising out of defects in materials or workmanship. Additionally, this warranty does not cover costs of installation, removal, reinstallation or surface mold and mildew created by excessive environmental conditions. Any service or repair provided outside the scope of this limited warranty shall be at Barrette Outdoor Living's rate and terms then in effect.

What do we do to correct the problems? Should your Barrette Outdoor Living product prove defective under warranty, reference the website or call the phone number listed below. Your problem will be assigned a tracking number and an authorized Barrette Outdoor Living representative will contact you to arrange a convenient time to schedule an onsite inspection, if need be. If after onsite inspection product is deemed to be manufacturer defect we will make arrangements to rectify the issue. You must have proof of your purchase in order for the problem to be corrected.

Transferee Coverage: Warranty coverage will be extended to transferees on the above listed products with the following limitations. Transferee must obtain an original or copy of the initial sales receipt (with proof of date) from the previous owner(s). Additionally, if fence is purchased from a builder or installer, documentation must be supplied that names the product installed on property and date of transfer.

THIS WARRANTY IS IN LIEU OF ALL CONDITIONS OR WARRANTIES, EXPRESS, OR IMPLIED INCLUDING BUT NOT LIMITED TO ANY IMPLIED CONDITIONS OR WARRANTIES OR MERCHANTABILITY OR FITNESS FOR A PARTICULAR PURPOSE ON THE PART OF Barrette OR ITS LICENSORS, SOME STATES DO NOT ALLOW THE EXCLUSIONS OF IMPLIED WARRANTIES OR LIMITATIONS OF HOW LONG AN IMPLIED WARRANTY LASTS, SO THE ABOVE LIMITATIONS MAY NOT APPLY TO YOU. IF THE PRODUCT IS DEFECTIVE PER THE ABOVE COVERAGES, YOUR SOLE AND EXCLUSIVE REMEDY SHALL BE REPAIR OR REPLACEMENT AS PROVIDED ABOVE. BARRETTE AND ITS LICENSORS SHALL NOT BE LIABLE FOR ANY DAMAGES, LOSS OF USE, LOSS OF PROFITS OR INTERRUPTION OF BUSINESS WHETHER SUCH ALLEGED DAMAGES ARE BASED IN WARRANTY, TORT, CONTRACT, OR INDEMNITY. SOME STATES DO NOT ALLOW THE EXCLUSION OF LIMITATIONS OF INCIDENTAL OR CONSEQUENTIAL DAMAGES, SO THE ABOVE LIMITATIONS MAY NOT APPLY TO YOU. THIS WARRANTY IS VALID ONLY IN THE UNITED STATES AND CANADA.

1-800-336-2383

Models

2-Rail Components:

73061401S / 73063901
73048501 / 73048601 / 73048701

3-Rail Components:

73061401S / 73063901
73060401 / 73060501 / 73060501

Build-It-Yourself 2-Rail Components:

73012399 / 73012400 / 73012401 / 73012402
73010781 / 73010787 / 73010793 / 73010799
73010782 / 73010788 / 73010794 / 73010800
73010783 / 73010789 / 73010795 / 73010801

Build-It-Yourself 3-Rail Components:

73010757 / 73010763 / 73010769 / 73010775
73010758 / 73010764 / 73010770 / 73010776

73010759 / 73010765 / 73010771 / 73010777

Build-It-Yourself 4-Rail Components:

73010732 / 73010738 / 73010744 / 73010750
73010733 / 73010739 / 73010745 / 73010751
73010734 / 73010740 / 73010746 / 73010752

Build-It-Yourself Crossbuck Components:

73010926 / 73010932 / 73010938 / 73010944
73010927 / 73010933 / 73010939 / 73010945
73010928 / 73010934 / 73010940 / 73010946

Owners Manual

Structure made in U.S.A.
Printed in U.S.A.
U.S. Pat. appl'd for

